

SPECIFICATION SHEET

Floor mount davit base assembly - 300mm centres c/w Wing-Head Thumb Screw locking pin



CODE: BTS1109

SPECIFICATION

This equipment is considered as part of a personal fall arrest system (PFAS) with a maximum capacity of 2 users at 136 kg each. It can also be used (not concurrently) for materials handling with a maximum working capacity dependent to specific davit used.

MATERIAL AND CONSTRUCTION

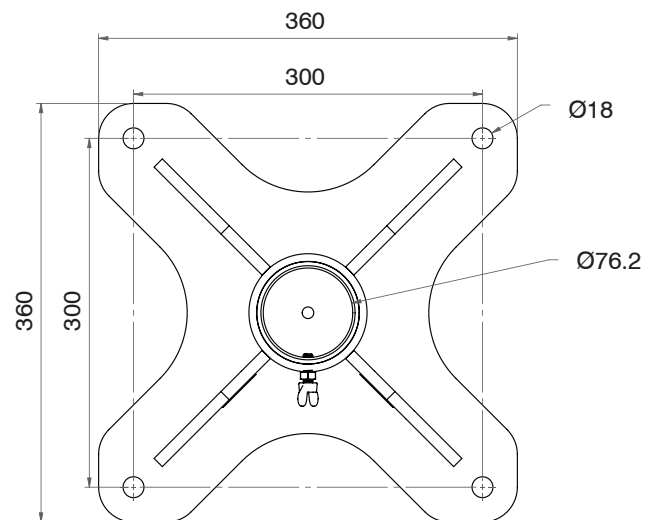
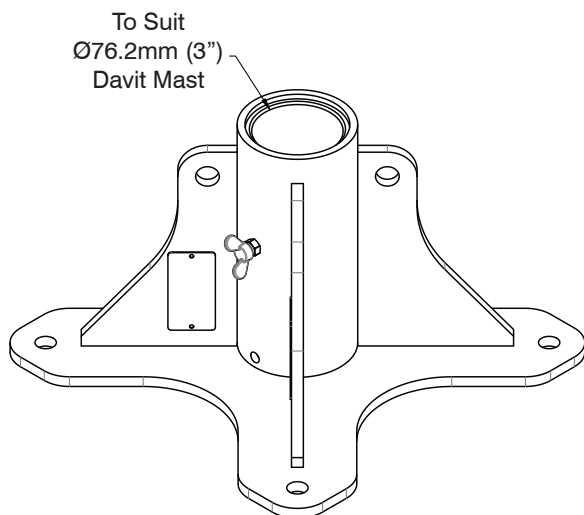
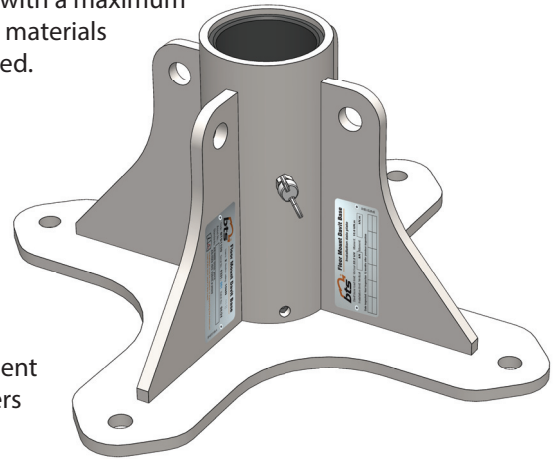
Plate, gussets and sleeve: STEEL F/S HDG
Sleeve bearing: PVC

WEIGHT

(est.) 15.2 kg

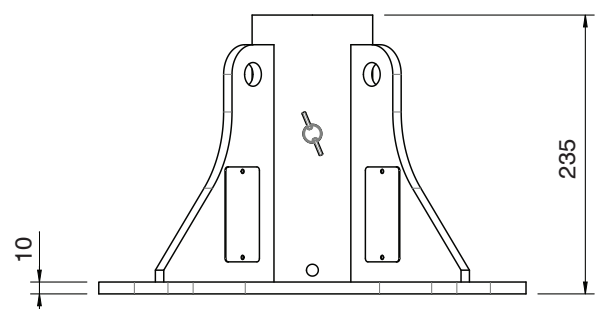
RESTRICTIONS

- This davit base is designed to be used in combination with other equipment from the BTS range and/or any other equipment from other manufacturers that the installer has received approval in writing from BTS.
- Anchorage hardware must be installed by qualified and experienced personnel.
- The installer must follow the anchorage hardware manufacturers recommendations at all times.
- Periodic inspections of hardware must be done.
- In the occurrence of a fall or if the safety of the equipment is in doubt, equipment must be removed immediately from service and inspected by qualified and/or competent personnel.
- This equipment must always be operated in a level position.



This equipment meets the following standard:

AS/NZS 5532: 2013,
AS/NZS ISO 22846.2:2020



SPECIFICATION SHEET

Floor mount davit base assembly - 300mm centres c/w Wing-Head Thumb Screw locking pin



INSTALLATION

RECOMMENDATIONS:

Recommendation based on good condition uncracked concrete 32mPa or better.

Slab thickness: 160mm MIN.

Moment capacity: 21,600 N.m

Vertical load: 21,000 N

Note: It is the responsibility of the installer to assure installation compliance.

Hardware: Hilti HAS-U 5.8 HDG M16 x 165 or equivalent - Qty. 4

Effective embedment depth: 120mm

Adhesive: Hilti HIT-RE 500 V3 or equivalent

Note: Minimum pull-out strength of 26kN is required. The installer shall proof load test chemset bolts as per local requirements.

This recommendation is based on the given loads and concrete specifications, It is the responsibility of the field engineer to assure the installation and the capacity of the underlying concrete structure.

CODE: BTS1109

4X M16 FASTENER

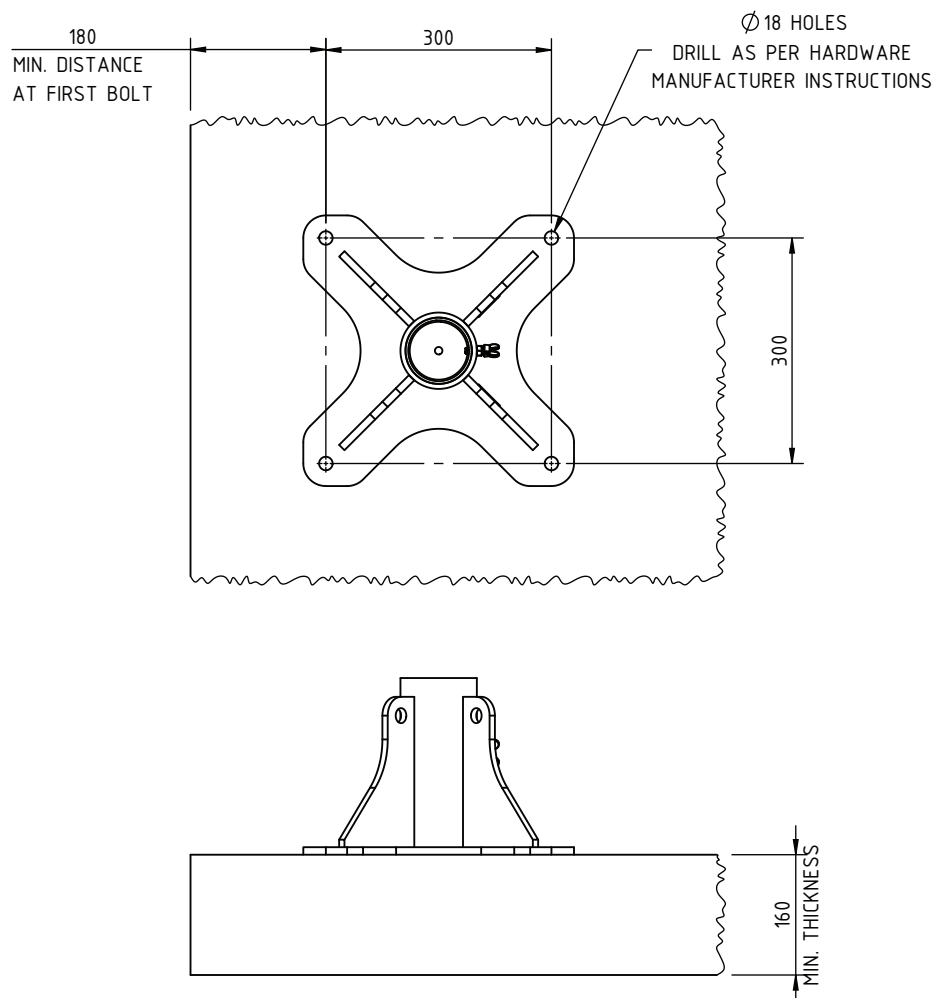
Suitable for:

PRO-2G - 50015

PRO-3G - 30106

PRO-4 - 50048

PRO-6G - 50506



SPECIFICATION SHEET

Floor mount davit base assembly - 300mm centres c/w Wing-Head Thumb Screw locking pin



INSTALLATION

CODE: BTS1109

DERATED TO 13.5kNm. M16 FASTENER OPTION

RECOMMENDATIONS:

Recommendation based on good condition uncracked concrete 32mPa or better.

Slab thickness: 120mm MIN.

Moment capacity: 13,500 N.m

Vertical load: 21,000 N

Note: It is the responsibility of the installer to assure installation compliance.

Suitable for:

PRO-3G - 30106

PRO-4 - 50048

PRO-6G - 50506

Hardware: Hilti HAS-U 5.8 HDG M16x150 or equivalent - Qty. 4

Effective embedment depth: 83mm

Adhesive: Hilti HIT-HY 200-RV3 or equivalent

Note: Minimum pull-out strength of 17kN is required. The installer shall proof load test chemset bolts as per local requirements.

This recommendation is based on the given loads and concrete specifications, It is the responsibility of the field engineer to assure the installation and the capacity of the underlying concrete structure.

